

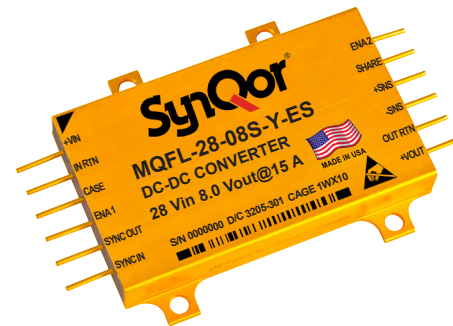
HIGH RELIABILITY DC-DC CONVERTER

| | | | | |
|------------------------------------|-----------------------------------|------------------------|-----------------------|---|
| 16-40 V Continuous Input | 16-50 V Transient Input | 8.0 V Output | 15 A Output | 90% @ 7.5 A / 87% @ 15 A Efficiency |
|------------------------------------|-----------------------------------|------------------------|-----------------------|---|

FULL POWER OPERATION: -55 °C TO +125 °C

The MilQor® series of high-reliability DC-DC converters brings SynQor's field proven high-efficiency synchronous rectifier technology to the Military/Aerospace industry. SynQor's innovative QorSeal® packaging approach ensures survivability in the most hostile environments. Compatible with the industry standard format, these converters operate at a fixed frequency, have no opto-isolators, and follow conservative component derating guidelines. They are designed and manufactured to comply with a wide range of military standards.

MilQor®



DESIGNED & MANUFACTURED IN THE USA
FEATURING QORSEAL® HI-REL ASSEMBLY

Design Process

MQFL series converters are:

- Designed for reliability per NAVSO-P3641-A guidelines
- Designed with components derated per:
 - MIL-HDBK-1547A
 - NAVSO P-3641A

Qualification Process

MQFL series converters are qualified to:

- MIL-STD-810F
 - consistent with RTCA/DO-160E
- SynQor's First Article Qualification
 - consistent with MIL-STD-883F
- SynQor's Long-Term Storage Survivability Qualification
- SynQor's on-going life test

In-Line Manufacturing Process

- AS9100 and ISO 9001 certified facility
- Full component traceability
- Temperature cycling
- Constant acceleration
- 24, 96, 160 hour burn-in
- Three level temperature screening

Features

- Fixed switching frequency
- No opto-isolators
- Parallel operation with current share
- Remote sense
- Clock synchronization
- Primary and secondary referenced enable
- Continuous short circuit and overload protection
- Input under-voltage and over-voltage shutdown

Specification Compliance

MQFL series converters (with MQME filter) are designed to meet:

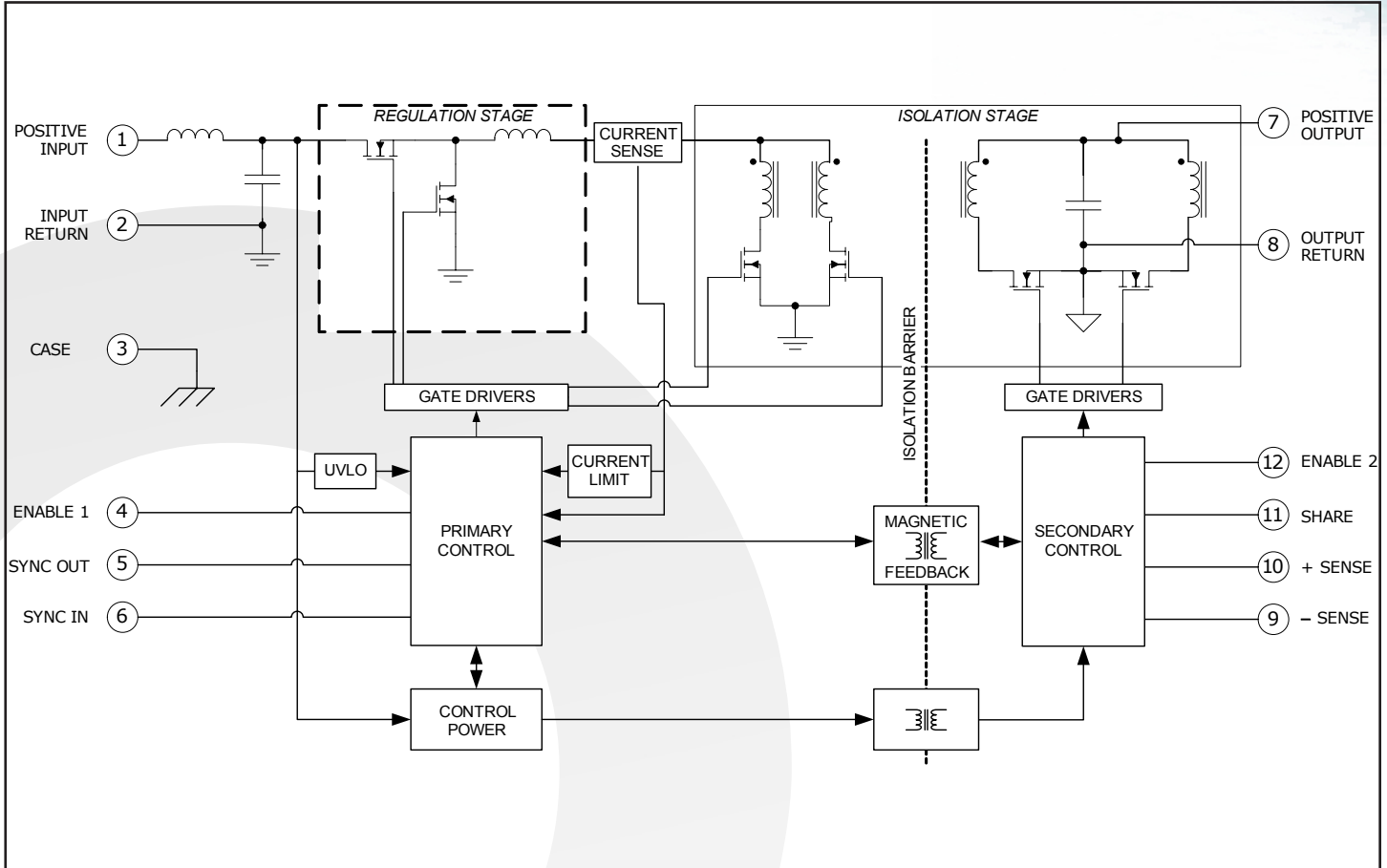
- MIL-HDBK-704-8 (A through F)
- RTCA/DO-160 Section 16, 17, 18
- MIL-STD-1275 (B, D)
- DEF-STAN 61-5 (part 6)/(5, 6)
- MIL-STD-461 (C, D, E, F)
- RTCA/DO-160(E, F, G) Section 22



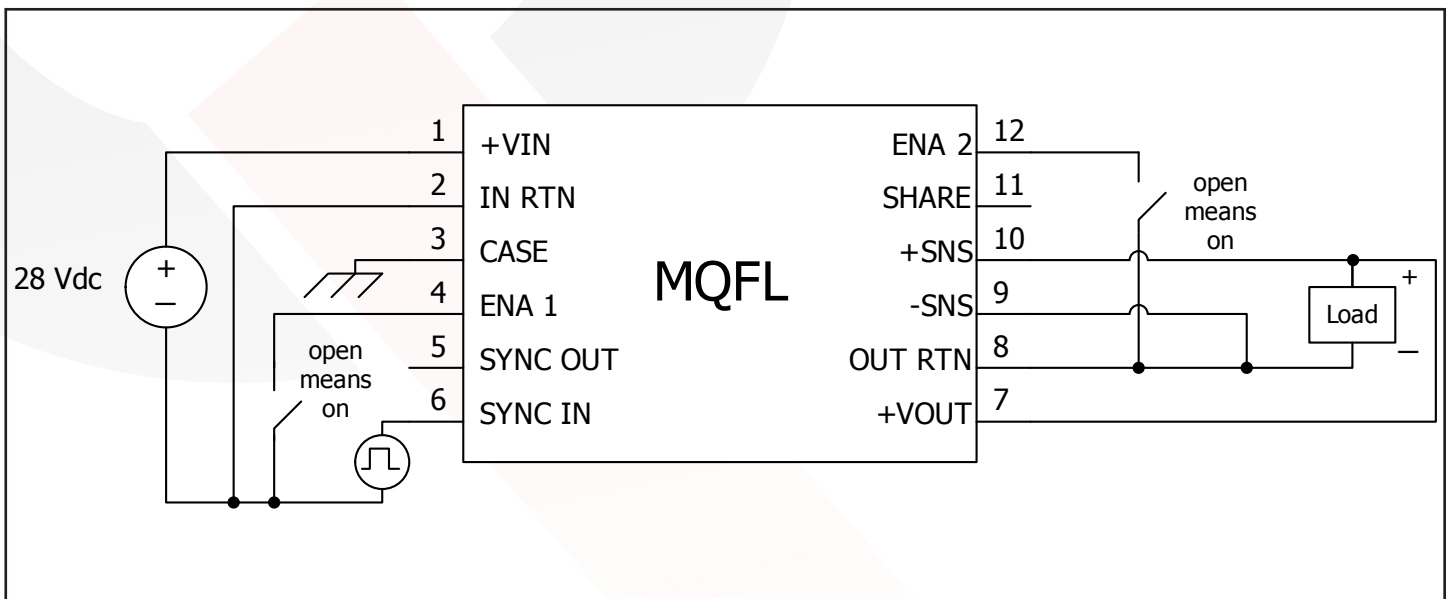
MQFL-28-08S
Output: 8.0 V
Current: 15 A

Technical Specification

BLOCK DIAGRAM



TYPICAL CONNECTION DIAGRAM



Technical Specification

MQFL-28-08S ELECTRICAL CHARACTERISTICS

| Parameter | Min. | Typ. | Max. | Units | Notes & Conditions | Group A Subgroup (see Note 13) |
|--|-------|----------|-------|-------|--|-----------------------------------|
| Specifications subject to change without notice | | | | | | |
| ABSOLUTE MAXIMUM RATINGS | | | | | | |
| Input Voltage | | | | | | |
| Non-Operating | | | 60 | V | | |
| Operating | | | 60 | V | See Note 1 | |
| Reverse Bias (T _{case} = 125 °C) | | | -0.8 | V | | |
| Reverse Bias (T _{case} = -55 °C) | | | -1.2 | V | | |
| Isolation Voltage (I/O to case, I to O) | | | | | | |
| Continuous | -500 | | 500 | V | | |
| Transient (≤100 μs) | -800 | | 800 | V | | |
| Operating Case Temperature | -55 | | 125 | °C | HB Grade Products, See Notes 2 & 15 | |
| Storage Case Temperature | -65 | | 135 | °C | | |
| Lead Temperature (20 s) | | | 300 | °C | | |
| Voltage at ENA1, ENA2 | -1.2 | | 50 | V | | |
| INPUT CHARACTERISTICS | | | | | | |
| Operating Input Voltage Range | 16 | 28 | 40 | V | Continuous | 1, 2, 3 |
| Operating Input Voltage Range | 16 | 28 | 50 | V | Transient, 1 s | |
| Input Under-Voltage Lockout | | | | | See Note 3 | |
| Turn-On Voltage Threshold | 14.75 | 15.50 | 16.00 | V | | 1, 2, 3 |
| Turn-Off Voltage Threshold | 13.80 | 14.40 | 15.00 | V | | 1, 2, 3 |
| Lockout Voltage Hysteresis | 0.50 | 1.10 | 1.80 | V | | |
| Input Over-Voltage Shutdown | | | | | See Note 3 | |
| Turn-Off Voltage Threshold | 54.0 | 56.8 | 60.0 | V | | |
| Turn-On Voltage Threshold | 50.0 | 51.4 | 54.0 | V | | |
| Shutdown Voltage Hysteresis | 2.0 | 5.3 | 8.0 | V | | |
| Input Filter Component Values (L/C) | | 2.0\24.6 | | μH\μF | Internal Values | |
| Maximum Input Current | | | 9.5 | A | V _{in} = 16 V; I _{out} = 15 A | See Note 5 |
| No Load Input Current (operating) | | 110 | 160 | mA | | 1, 2, 3 |
| Disabled Input Current (ENA1) | | 2 | 5 | mA | | 1, 2, 3 |
| Disabled Input Current (ENA2) | | 25 | 50 | mA | | 1, 2, 3 |
| Input Terminal Current Ripple (pk-pk) | | 40 | 65 | mA | Bandwidth = 100 kHz – 10 MHz; see Figure 14 | 1, 2, 3 |
| OUTPUT CHARACTERISTICS | | | | | | |
| Output Voltage Set Point (T _{case} = 25 °C) | 7.92 | 8.00 | 8.08 | V | V _{out} at sense leads | 1 |
| Output Voltage Set Point Over Temperature | 7.87 | 8.00 | 8.13 | V | " | 2, 3 |
| Output Voltage Line Regulation | -20 | 0 | 20 | mV | " | 1, 2, 3 |
| Output Voltage Load Regulation | 30 | 40 | 50 | mV | " ; V _{out} @ (I _{out} =0 A) - V _{out} @ (I _{out} =15 A) | 1, 2, 3 |
| Total Output Voltage Range | 7.84 | 8.00 | 8.16 | V | " | 1, 2, 3 |
| Output Voltage Ripple and Noise Peak to Peak | | 15 | 40 | mV | Bandwidth = 10 MHz; CL=11 μF | 1, 2, 3 |
| Operating Output Current Range | 0 | | 15 | A | | 1, 2, 3 |
| Operating Output Power Range | 0 | | 120 | W | | 1, 2, 3 |
| Output DC Current-Limit Inception | 16.5 | 18.5 | 20.5 | A | See Note 4 | 1, 2, 3 |
| Short Circuit Output Current | 16 | 19 | 22 | A | V _{out} ≤ 1.2 V | See Note 5 |
| Back-Drive Current Limit while Enabled | | 4.2 | | A | | 1, 2, 3 |
| Back-Drive Current Limit while Disabled | | 10 | 50 | mA | | 1, 2, 3 |
| Maximum Output Capacitance | | | 5,000 | μF | | See Note 5 |
| DYNAMIC CHARACTERISTICS | | | | | | |
| Output Voltage Deviation Load Transient | | | | | See Note 6 | |
| For a Pos. Step Change in Load Current | -600 | -350 | | mV | Total I _{out} step = 7.5 A↔15 A, 1.5 A↔7.5 A; CL=11 μF | 4, 5, 6 |
| For a Neg. Step Change in Load Current | | 350 | 600 | mV | " | 4, 5, 6 |
| Settling Time (either case) | | 100 | 200 | μs | See Note 7 | |
| Output Voltage Deviation Line Transient | | | | | V _{in} step = 16 V↔50 V; CL=11 μF; See Note 8 | |
| For a Pos. Step Change in Line Voltage | -500 | | 500 | mV | | |
| For a Neg. Step Change in Line Voltage | -500 | | 500 | mV | | |
| Settling Time (either case) | | 250 | 500 | μs | See Note 7 | |
| Turn-On Transient | | | | | | |
| Output Voltage Rise Time | | 6 | 10 | ms | V _{out} = 0.8 V → 7.2 V | 4, 5, 6 |
| Output Voltage Overshoot | | 0 | 2 | % | | See Note 5 |
| Turn-On Delay, Rising V _{in} | | 5.5 | 8.0 | ms | ENA1, ENA2 = 5 V; see Notes 9 & 11 | 4, 5, 6 |
| Turn-On Delay, Rising ENA1 | | 3.0 | 6.0 | ms | ENA2 = 5 V; see Note 11 | 4, 5, 6 |
| Turn-On Delay, Rising ENA2 | | 1.5 | 3.0 | ms | ENA1 = 5 V; see Note 11 | 4, 5, 6 |
| EFFICIENCY | | | | | | |
| I _{out} = 15 A (16 V _{in}) | 82 | 87 | | % | | |
| I _{out} = 7.5 A (16 V _{in}) | 87 | 91 | | % | | |
| I _{out} = 15 A (28 V _{in}) | 82 | 87 | | % | | 1, 2, 3 |
| I _{out} = 7.5 A (28 V _{in}) | 86 | 90 | | % | | |
| I _{out} = 15 A (40 V _{in}) | 81 | 86 | | % | | |
| I _{out} = 7.5 A (40 V _{in}) | 85 | 89 | | % | | |
| Load Fault Power Dissipation | | 23 | 36 | W | I _{out} at current limit inception point; see note 4 | 1 |
| Short Circuit Power Dissipation | | 25 | 38 | W | V _{out} ≤ 1.2 V | 1 |

Technical Specification

MQFL-28-08S ELECTRICAL CHARACTERISTICS (Continued)

| Parameter | Min. | Typ. | Max. | Units | Notes & Conditions | Group A Subgroup |
|---|------|------|------|----------------------|---|------------------|
| Specifications subject to change without notice | | | | | | |
| Vin=28 Vdc ±5%, Iout=15 A, CL=0 μF, free running (see Note 10) unless otherwise specified | | | | | | |
| ISOLATION CHARACTERISTICS | | | | | | |
| Isolation Voltage | | | | | Dielectric strength | |
| Input RTN to Output RTN | 500 | | | V | | 1 |
| Any Input Pin to Case | 500 | | | V | | 1 |
| Any Output Pin to Case | 500 | | | V | | 1 |
| Isolation Resistance (input rtn to output rtn) | 100 | | | MΩ | | 1 |
| Isolation Resistance (any pin to case) | 100 | | | MΩ | | 1 |
| Isolation Capacitance (input rtn to output rtn) | | 44 | | nF | | 1 |
| FEATURE CHARACTERISTICS | | | | | | |
| Switching Frequency (free running) | 500 | 550 | 600 | kHz | | 1, 2, 3 |
| Synchronization Input | | | | | | |
| Frequency Range | 500 | | 700 | kHz | | 1, 2, 3 |
| Logic Level High | 2.0 | | 10 | V | | 1, 2, 3 |
| Logic Level Low | -0.5 | | 0.8 | V | | 1, 2, 3 |
| Duty Cycle | 20 | | 80 | % | | See Note 5 |
| Synchronization Output | | | | | | |
| Pull Down Current | 20 | | | mA | VSYNC OUT = 0.8 V | See Note 5 |
| Duty Cycle | 25 | | 75 | % | Output connected to SYNC IN of other MQFL converter | See Note 5 |
| Enable Control (ENA1 and ENA2) | | | | | | |
| Off-State Voltage | | | 0.8 | V | | 1, 2, 3 |
| Module Off Pulldown Current | 80 | | | μA | Current drain required to ensure module is off | See Note 5 |
| On-State Voltage | 2 | | | V | | 1, 2, 3 |
| Module On Pin Leakage Current | | | 20 | μA | Imax drawn from pin allowed, module on | See Note 5 |
| Pull-Up Voltage | 3.2 | 4.0 | 4.5 | V | See Figure A | 1, 2, 3 |
| RELIABILITY CHARACTERISTICS | | | | | | |
| Calculated MTBF (MIL-STD-217F2) | | | | | | |
| GB @ Tcase = 70 °C | | 2800 | | 10 ³ Hrs. | | |
| AIF @ Tcase = 70 °C | | 440 | | 10 ³ Hrs. | | |
| WEIGHT CHARACTERISTICS | | | | | | |
| Device Weight | | 79 | | g | | |

Electrical Characteristics Notes

1. Converter will undergo input over-voltage shutdown.
2. Derate output power to 50% of rated power at Tcase = 135 °C. 135 °C is above specified operating range.
3. High or low state of input voltage must persist for about 200 μs to be acted on by the lockout or shutdown circuitry.
4. Current limit inception is defined as the point where the output voltage has dropped to 90% of its nominal value.
5. Parameter not tested but guaranteed to the limit specified.
6. Load current transition time ≥ 10 μs.
7. Settling time measured from start of transient to the point where the output voltage has returned to ±1% of its final value.
8. Line voltage transition time ≥ 100 μs.
9. Input voltage rise time ≤ 250 μs.
10. Operating the converter at a synchronization frequency above the free running frequency will cause the converter's efficiency to be slightly reduced and it may also cause a slight reduction in the maximum output current/power available. For more information consult the factory.
11. After a disable or fault event, module is inhibited from restarting for 300 ms. See Shut Down section on Page 9.
12. SHARE pin outputs a power failure warning pulse during a fault condition. See Current Share section.
13. Only the ES and HB grade products are tested at three temperatures. The C- grade products are tested at one temperature. Please refer to the Construction and Environmental Stress Screening Options table for details.
14. These derating curves apply for the ES and HB grade products. The C- grade product has a maximum case temperature of 70 °C and a maximum junction temperature rise of 20 °C above Tcase.
15. The specified operating case temperature for ES grade products is -45 °C to 100 °C. The specified operating case temperature for C- grade products is 0 °C to 70 °C.



MQFL-28-08S
Output: 8.0 V
Current: 15 A

Technical Figures

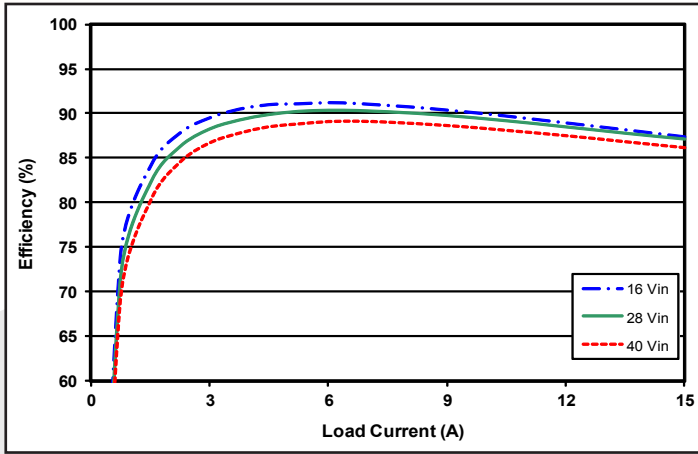


Figure 1: Efficiency at nominal output voltage vs. load current for minimum, nominal, and maximum input voltage at $T_{case}=25\text{ }^{\circ}\text{C}$.

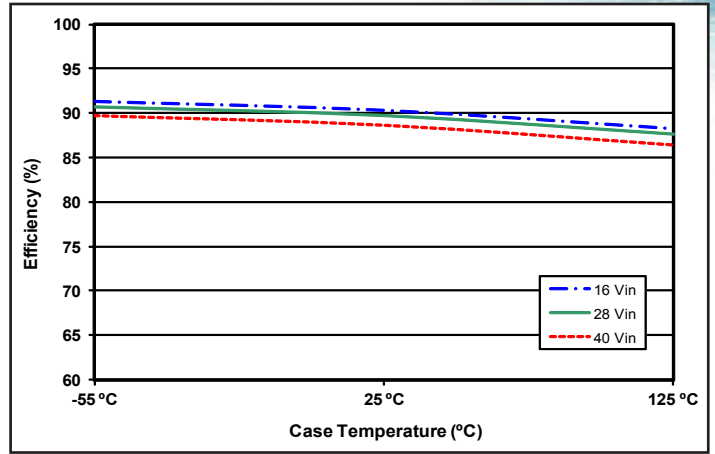


Figure 2: Efficiency at nominal output voltage and 60% rated power vs. case temperature for input voltage of 16 V, 28 V, and 40 V.

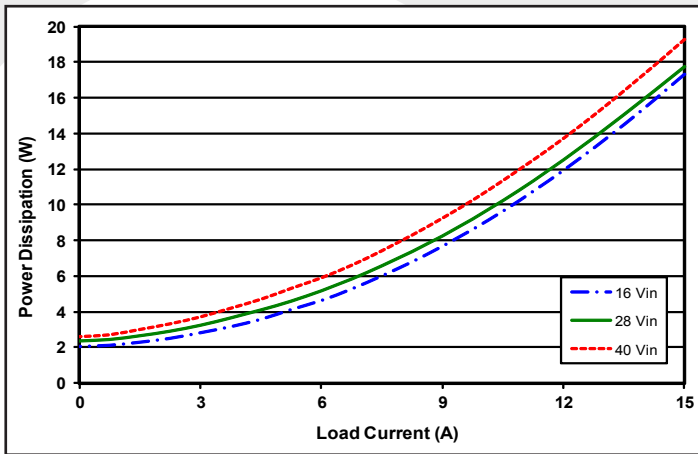


Figure 3: Power dissipation at nominal output voltage vs. load current for minimum, nominal, and maximum input voltage at $T_{case}=25\text{ }^{\circ}\text{C}$.

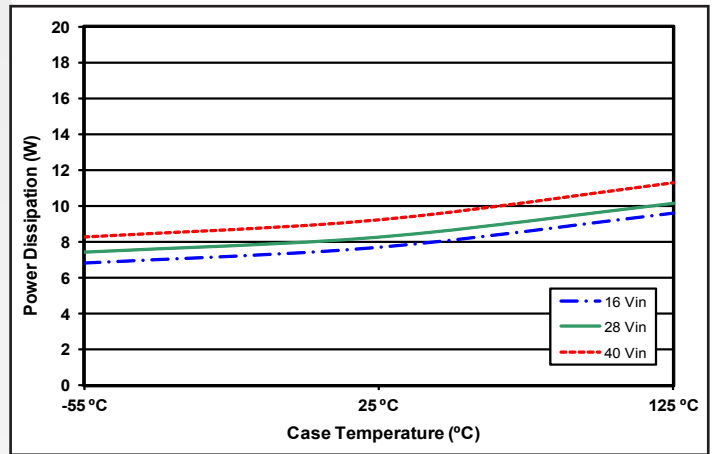


Figure 4: Power dissipation at nominal output voltage and 60% rated power vs. case temperature for input voltage of 16 V, 28 V, and 40 V.

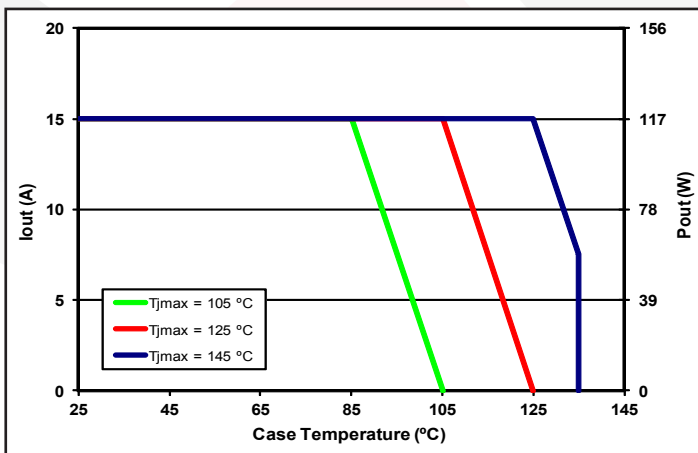


Figure 5: Output Current / Output Power derating curve as a function of T_{case} and the Maximum desired power MOSFET junction temperature at $v_{in} = 28\text{ V}$ (see Note 14).

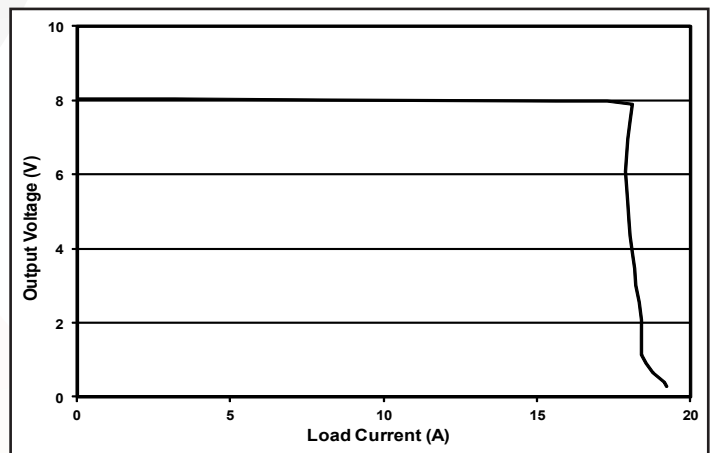


Figure 6: Output voltage vs. load current showing typical current limit curves.



MQFL-28-08S
Output: 8.0 V
Current: 15 A

Technical Figures

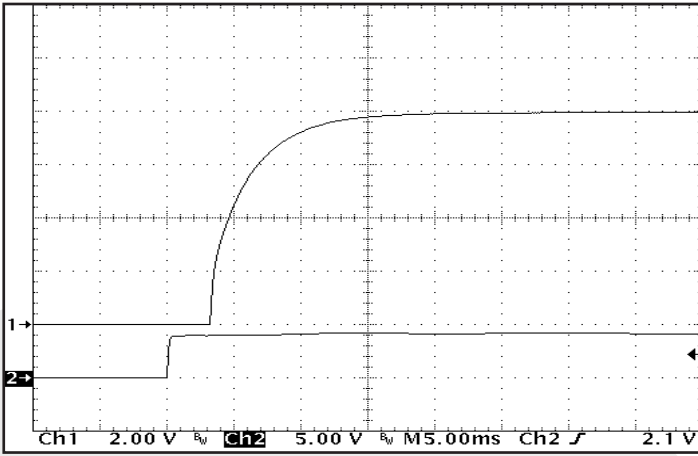


Figure 7: Turn-on transient at full resistive load and zero output capacitance initiated by ENA1. Input voltage pre-applied. Ch 1: Vout (2 V/div). Ch 2: ENA1 (5 V/div).

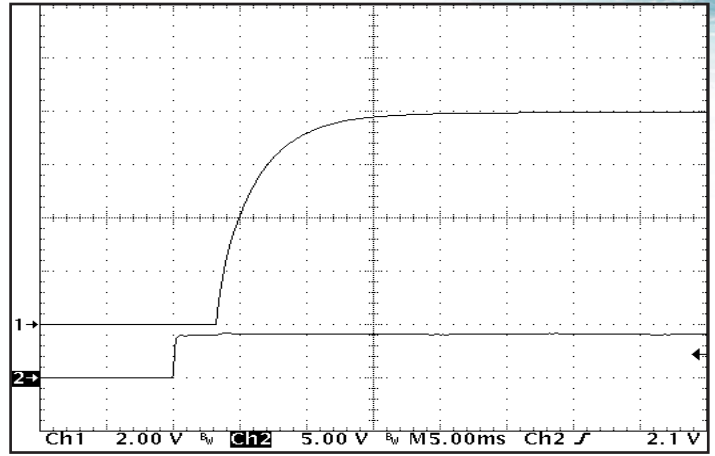


Figure 8: Turn-on transient at full resistive load and 5 mF output capacitance initiated by ENA1. Input voltage pre-applied. Ch 1: Vout (2 V/div). Ch 2: ENA1 (5 V/div).

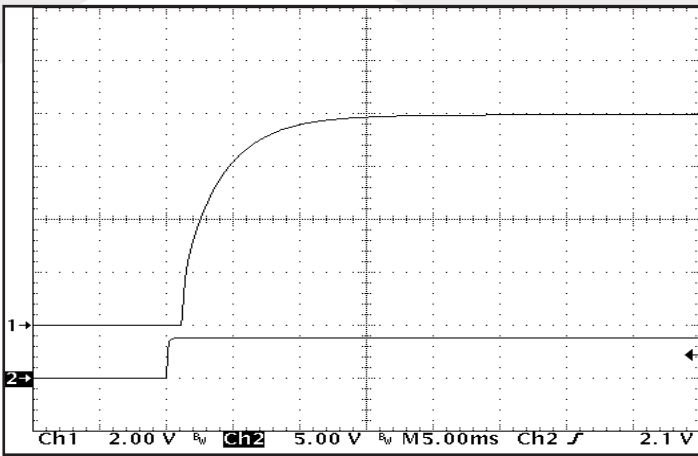
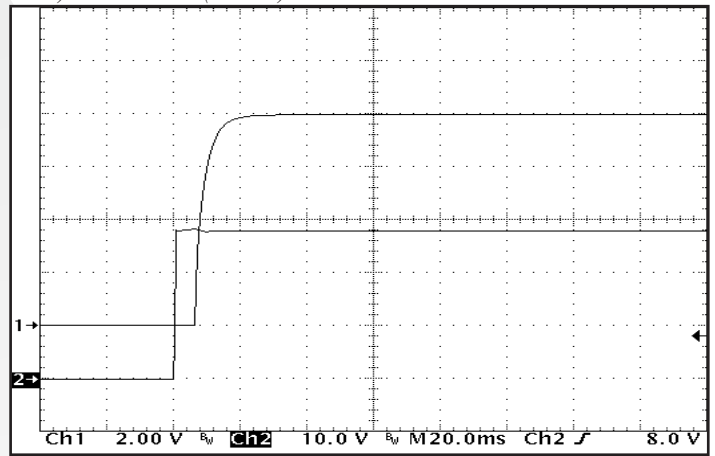


Figure 9: Turn-on transient at full resistive load and zero output capacitance initiated by ENA2. Input voltage pre-applied. Ch 1 Vout (2 V/div). Ch 2 ENA (5 V/div).



Turn-on transient at full resistive load and zero output capacitance initiated Vin. ENA1 and ENA2 both previously high. Ch 1: Vout (2 V/div). Ch 2: Vin (10 V/div).

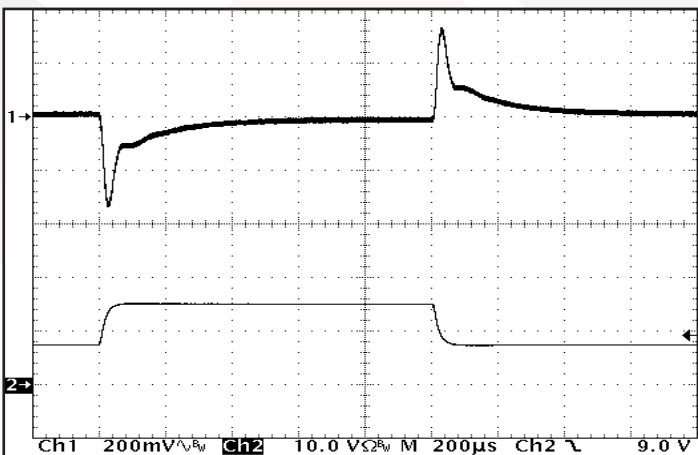


Figure 11: Output voltage response to step-change in load current (50%-100%-50% of Iout (max)). Load cap: 1 µF ceramic cap and 10 µF, 100 mΩ ESR tantalum cap. Ch 1: Vout (200 mV/div). Ch 2: Iout (10 A/div).

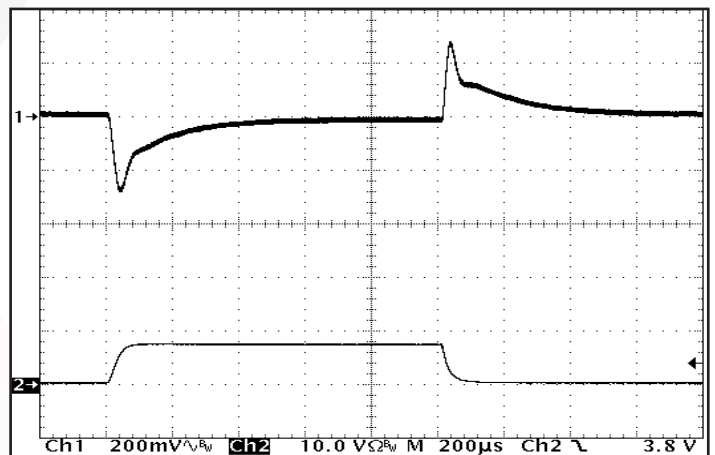


Figure 12: Output voltage response to step-change in load current (0%-50%-0% of Iout (max)). Load cap: 1 µF ceramic cap and 10 µF, 100 mΩ ESR tantalum cap. Ch 1: Vout (200 mV/div). Ch 2: Iout (10 A/div).



MQFL-28-08S
Output: 8.0 V
Current: 15 A

Technical Figures

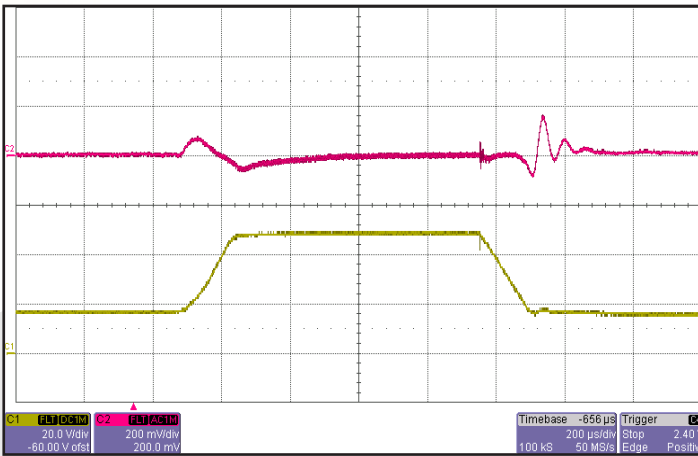


Figure 13: Output voltage response to step-change in input voltage (16 V-50 V-16 V). Load cap: 10 μ F m Ω ESR tantalum cap and 1 μ F ceramic cap. Ch 1: V_{in} (20 V/div). Ch 2: V_{out} (200 mV/div).

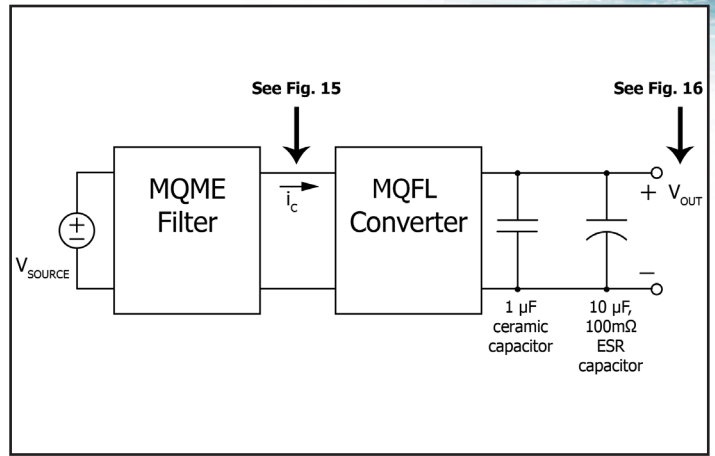


Figure 14: Test set-up diagram showing measurement points for Input Terminal Ripple Current (Figure 15) and Output Voltage Ripple (Figure 16).

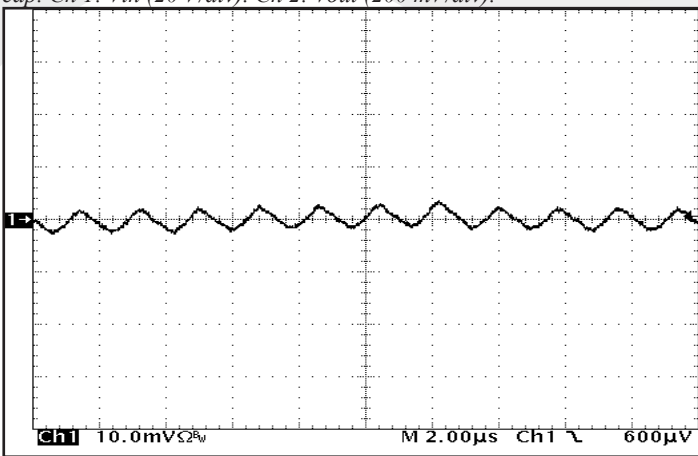


Figure 15: Input terminal current ripple, i_c , at full rated output current and nominal input voltage with SynQor MQ filter module (50 mA/div). Bandwidth: 20 MHz. See Figure 14.

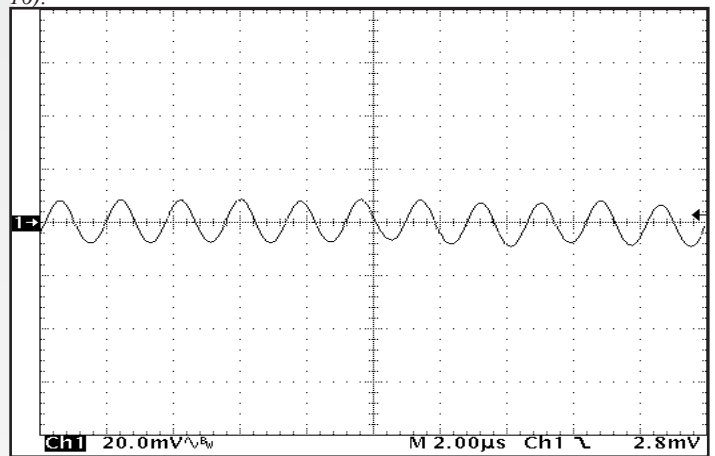


Figure 16: Output voltage ripple, V_{out} at nominal input voltage and rated load current (20 mV/div). Load capacitance: 1 μ F ceramic capacitor and 10 μ F tantalum capacitor. Bandwidth: 10 MHz. See Figure 14.

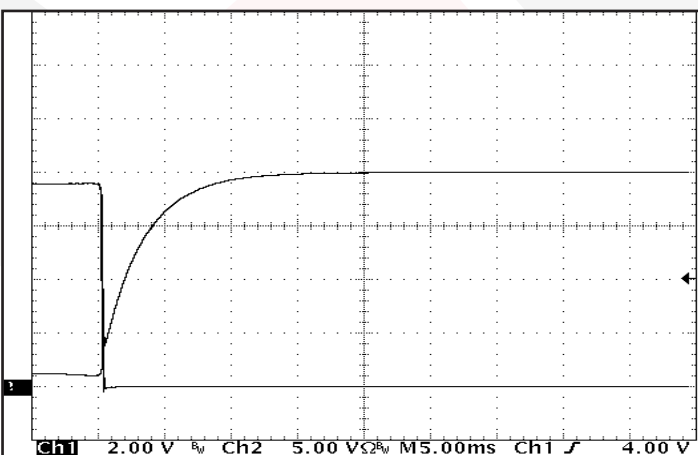


Figure 17: Rise of output voltage after the removal of a short circuit across the output terminals Ch 1: V_{out} (2 V/div). Ch 2: I_{out} (5 A/div).

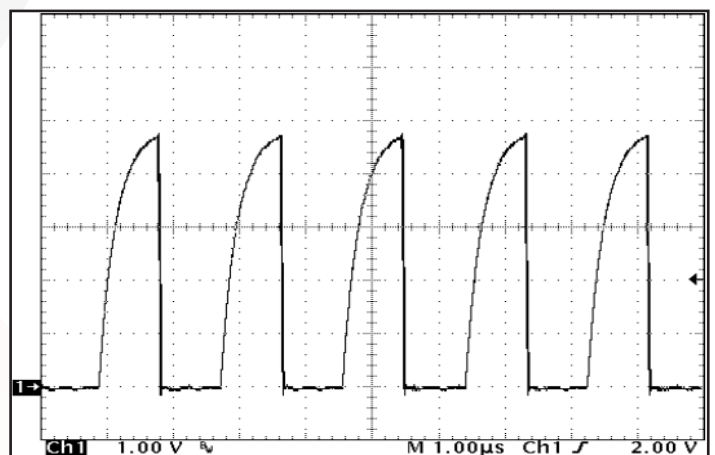


Figure 18: SYNC OUT vs. time, driving SYNC IN of a second SynQor MQFL converter. Ch 1: SYNC OUT: (1 V/div).



MQFL-28-08S
Output: 8.0 V
Current: 15 A

Technical Figures

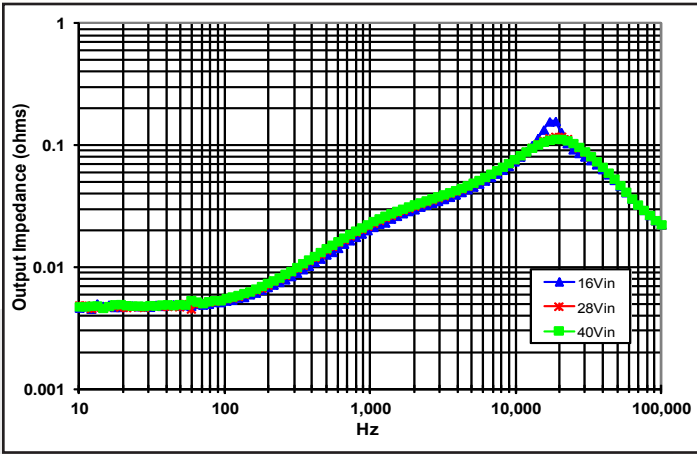


Figure 19: Magnitude of incremental output impedance ($Z_{out} = v_{out}/i_{out}$) for minimum, nominal, and maximum input voltage at full rated power.

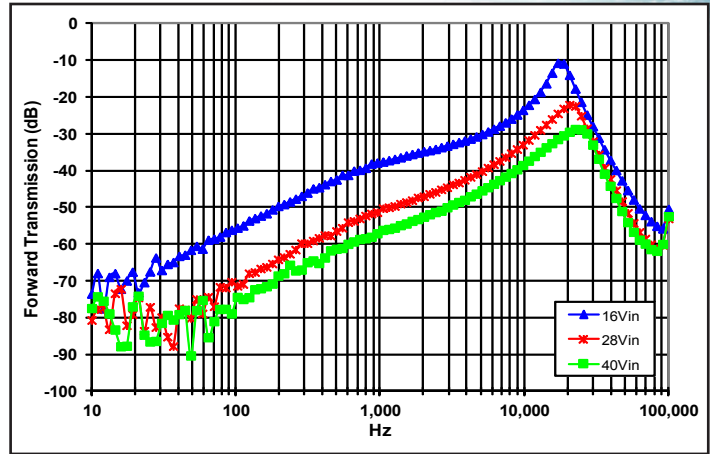


Figure 20: Magnitude of incremental forward transmission ($FT = v_{out}/v_{in}$) for minimum, nominal, and maximum input voltage at full rated power.

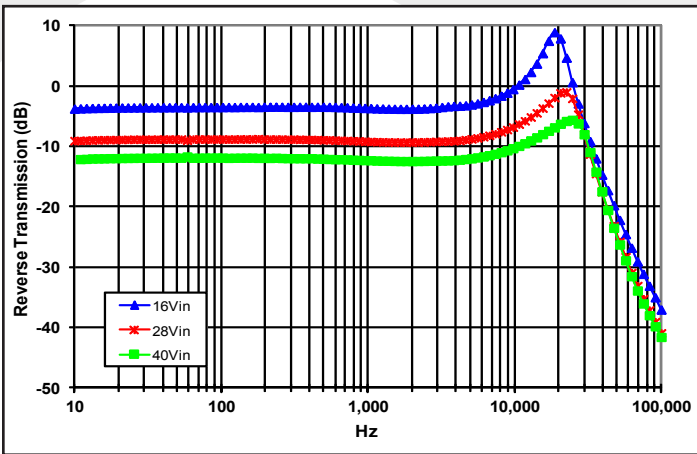


Figure 21: Magnitude of incremental reverse transmission ($RT = i_{in}/i_{out}$) for minimum, nominal, and maximum input voltage at full rated power.

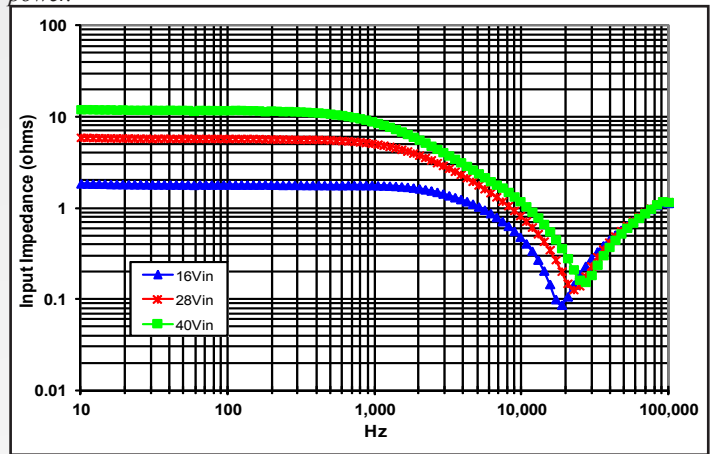


Figure 22: Magnitude of incremental input impedance ($Z_{in} = v_{in}/i_{in}$) for minimum, nominal, and maximum input voltage at full rated power.

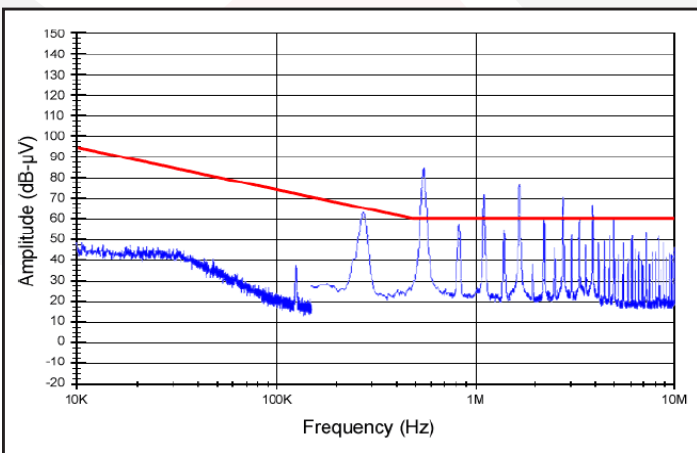


Figure 23: High frequency conducted emissions of standalone MQFL-28-05S, 5Vout module at 120 W output as measured with Method CE102. Limit line shown is the 'Basic Curve' for all applications with a 28 V source.

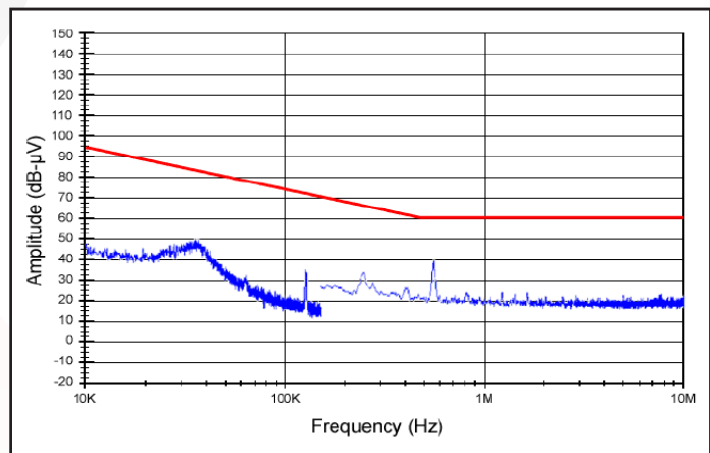


Figure 24: High frequency conducted emissions of MQFL-28-05S, 5Vout module at 210 W output with MQME-28-P filter; as measured with Method CE102. Limitline shown is the 'Basic Curve' for all applications with a 28 V source.



MQFL-28-08S

Output: 8.0 V

Current: 15 A

Application Section

BASIC OPERATION AND FEATURES

The MQFL DC-DC converter uses a two-stage power conversion topology. The first, or regulation, stage is a buck-converter that keeps the output voltage constant over variations in line, load, and temperature. The second, or isolation, stage uses transformers to provide the functions of input/output isolation and voltage transformation to achieve the output voltage required.

Both the regulation and the isolation stages switch at a fixed frequency for predictable EMI performance. The isolation stage switches at one half the frequency of the regulation stage, but due to the push-pull nature of this stage it creates a ripple at double its switching frequency. As a result, both the input and the output of the converter have a fundamental ripple frequency of about 550 kHz in the free-running mode.

Rectification of the isolation stage's output is accomplished with synchronous rectifiers. These devices, which are MOSFETs with a very low resistance, dissipate far less energy than would Schottky diodes. This is the primary reason why the MQFL converters have such high efficiency, particularly at low output voltages.

Besides improving efficiency, the synchronous rectifiers permit operation down to zero load current. There is no longer a need for a minimum load, as is typical for converters that use diodes for rectification. The synchronous rectifiers actually permit a negative load current to flow back into the converter's output terminals if the load is a source of short or long term energy. The MQFL converters employ a "back-drive current limit" to keep this negative output terminal current small.

There is a control circuit on both the input and output sides of the MQFL converter that determines the conduction state of the power switches. These circuits communicate with each other across the isolation barrier through a magnetically coupled device. No opto-isolators are used.

A separate bias supply provides power to both the input and output control circuits. Among other things, this bias supply permits the converter to operate indefinitely into a short circuit and to avoid a hiccup mode, even under a tough start-up condition.

An input under-voltage lockout feature with hysteresis is provided, as well as an input over-voltage shutdown. There is also an output current limit that is nearly constant as the load impedance decreases to a short circuit (i.e., there is not fold-back or fold-forward characteristic to the output current under this condition). When a load fault is removed, the output voltage rises exponentially to its nominal value without an overshoot.

The MQFL converter's control circuit does not implement an output over-voltage limit or an over-temperature shutdown.

The following sections describe the use and operation of additional control features provided by the MQFL converter.

CONTROL FEATURES

ENABLE: The MQFL converter has two enable pins. Both must have a logic high level for the converter to be enabled. A logic low on either pin will inhibit the converter.

The ENA1 pin (pin 4) is referenced with respect to the converter's input return (pin 2). The ENA2 pin (pin 12) is referenced with respect to the converter's output return (pin 8). This permits the converter to be inhibited from either the input or the output side.

Regardless of which pin is used to inhibit the converter, the regulation and the isolation stages are turned off. However, when the converter is inhibited through the ENA1 pin, the bias supply is also turned off, whereas this supply remains on when the converter is inhibited through the ENA2 pin. A higher input standby current therefore results in the latter case.

Both enable pins are internally pulled high so that an open connection on both pins will enable the converter. Figure A shows the equivalent circuit looking into either enable pins. It is TTL compatible.

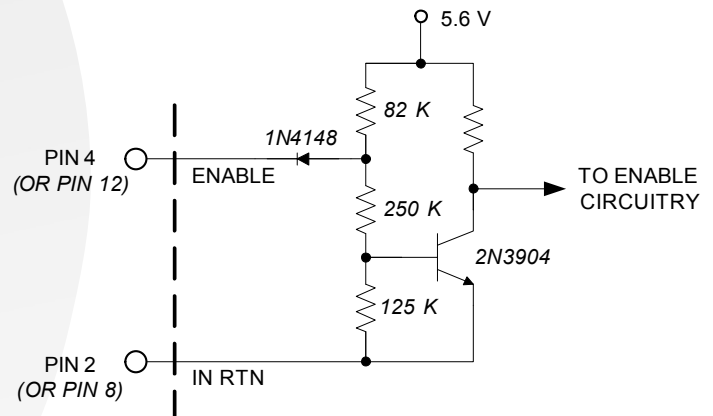


Figure A: Circuit diagram shown for reference only, actual circuit components may differ from values shown for equivalent circuit.

SHUT DOWN: The MQFL converter will shut down in response to only four conditions: ENA1 input low, ENA2 input low, VIN input below under-voltage lockout threshold, or VIN input above over-voltage shutdown threshold. Following a shutdown event, there is a startup inhibit delay which will prevent the converter from restarting for approximately 300 ms. After the 300 ms delay elapses, if the enable inputs are high and the input voltage is within the operating range, the converter will restart. If the VIN input is brought down to nearly 0 V and back into the operating range, there is no startup inhibit, and the output voltage will rise according to the "Turn-On Delay, Rising Vin" specification.



MQFL-28-08S
Output: 8.0 V
Current: 15 A

Application Section

REMOTE SENSE: The purpose of the remote sense pins is to correct for the voltage drop along the conductors that connect the converter's output to the load. To achieve this goal, a separate conductor should be used to connect the +SENSE pin (pin 10) directly to the positive terminal of the load, as shown in the connection diagram on Page 2. Similarly, the -SENSE pin (pin 9) should be connected through a separate conductor to the return terminal of the load.

NOTE: Even if remote sensing of the load voltage is not desired, the +SENSE and the -SENSE pins must be connected to +Vout (pin 7) and OUTPUT RETURN (pin 8), respectively, to get proper regulation of the converter's output. If they are left open, the converter will have an output voltage that is approximately 200 mV higher than its specified value. If only the +SENSE pin is left open, the output voltage will be approximately 25 mV too high.

Inside the converter, +SENSE is connected to +Vout with a resistor value from 100Ω to 274Ω, depending on output voltage, and -SENSE is connected to OUTPUT RETURN with a 10Ω resistor.

It is also important to note that when remote sense is used, the voltage across the converter's output terminals (pins 7 and 8) will be higher than the converter's nominal output voltage due to resistive drops along the connecting wires. This higher voltage at the terminals produces a greater voltage stress on the converter's internal components and may cause the converter to fail to deliver the desired output voltage at the low end of the input voltage range at the higher end of the load current and temperature range. Please consult the factory for details.

SYNCHRONIZATION: The MQFL converter's switching frequency can be synchronized to an external frequency source that is in the 500 kHz to 700 kHz range. A pulse train at the desired frequency should be applied to the SYNC IN pin (pin 6) with respect to the INPUT RETURN (pin 2). This pulse train should have a duty cycle in the 20% to 80% range. Its low value should be below 0.8 V to be guaranteed to be interpreted as a logic low, and its high value should be above 2.0 V to be guaranteed to be interpreted as a logic high. The transition time between the two states should be less than 300 ns.

If the MQFL converter is not to be synchronized, the SYNC IN pin should be left open circuit. The converter will then operate in its free-running mode at a frequency of approximately 550 kHz.

If, due to a fault, the SYNC IN pin is held in either a logic low or logic high state continuously, the MQFL converter will revert to its free-running frequency.

The MQFL converter also has a SYNC OUT pin (pin 5). This output can be used to drive the SYNC IN pins of as many as ten (10) other MQFL converters. The pulse train coming out of SYNC OUT has a duty cycle of 50% and a frequency that matches the switching frequency of the converter with which it is associated. This frequency is either the free-running frequency if there is no synchronization signal at the SYNC IN pin, or the synchronization frequency if there is.

The SYNC OUT signal is available only when the DC input voltage is above approximately 12 V and when the converter is not inhibited through the ENA1 pin. An inhibit through the ENA2 pin will not turn the SYNC OUT signal off.

NOTE: An MQFL converter that has its SYNC IN pin driven by the SYNC OUT pin of a second MQFL converter will have its start of its switching cycle delayed approximately 180 degrees relative to that of the second converter.

Figure B shows the equivalent circuit looking into the SYNC IN pin. Figure C shows the equivalent circuit looking into the SYNC OUT pin.

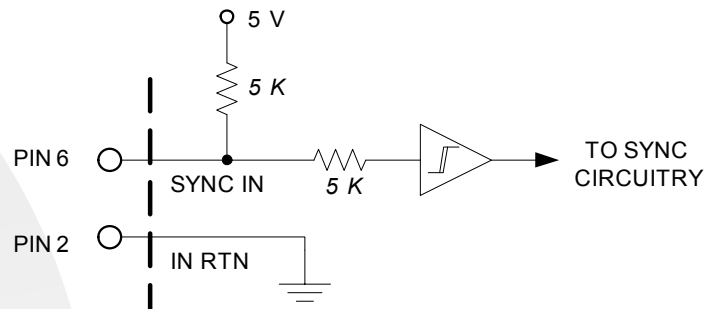


Figure B: Equivalent circuit looking into the SYNC IN pin with respect to the IN RTN (input return) pin.

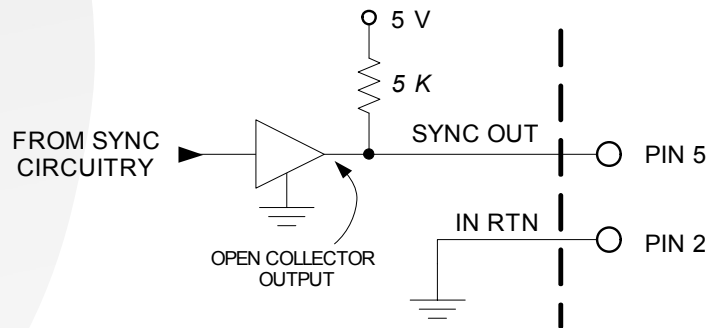


Figure C: Equivalent circuit looking into SYNC OUT pin with respect to the IN RTN (input return) pin.

CURRENT SHARE: When several MQFL converters are placed in parallel to achieve either a higher total load power or N+1 redundancy, their SHARE pins (pin 11) should be connected together. The voltage on this common SHARE node represents the average current delivered by all of the paralleled converters. Each converter monitors this average value and adjusts itself so that its output current closely matches that of the average.

Since the SHARE pin is monitored with respect to the OUTPUT RETURN (pin 8) by each converter, it is important to connect all of the converters' OUTPUT RETURN pins together through a low DC and AC impedance. When this is done correctly, the converters will deliver their appropriate fraction of the total load current to within +/- 10% at full rated load.



MQFL-28-08S
Output: 8.0 V
Current: 15 A

Application Section

Whether or not converters are paralleled, the voltage at the SHARE pin could be used to monitor the approximate average current delivered by the converter(s). A nominal voltage of 1.0 V represents zero current and a nominal voltage of 2.2 V represents the maximum rated current, with a linear relationship in between. The internal source resistance of a converter's SHARE pin signal is 2.5 kΩ. During an input voltage fault or primary disable event, the SHARE pin outputs a power failure warning pulse. The SHARE pin will go to 3 V for approximately 14ms as the output voltage falls.

NOTE: Converters operating from separate input filters with reverse polarity protection (such as the MQME-28-T filter) with their outputs connected in parallel may exhibit hiccup operation at light loads. Consult factory for details.

OUTPUT VOLTAGE TRIM: If desired, it is possible to increase the MQFL converter's output voltage above its nominal value. To do this, use the +SENSE pin (pin 10) for this trim function instead of for its normal remote sense function, as shown in Figure D. In this case, a resistor connects the +SENSE pin to the -SENSE pin (which should still be connected to the output return, either remotely or locally). The value of the trim resistor should be chosen according to the following equation or from Figure E:

$$R_{trim} = 100 \times \frac{V_{nom}}{V_{out} - V_{nom} - 0.025}$$

where:

V_{nom} = the converter's nominal output voltage,
 V_{out} = the desired output voltage (greater than V_{nom}), and
 R_{trim} is in Ohms.

As the output voltage is trimmed up, it produces a greater voltage stress on the converter's internal components and may cause the converter to fail to deliver the desired output voltage at the low end of the input voltage range at the higher end of the load current and temperature range. Please consult the factory for details.

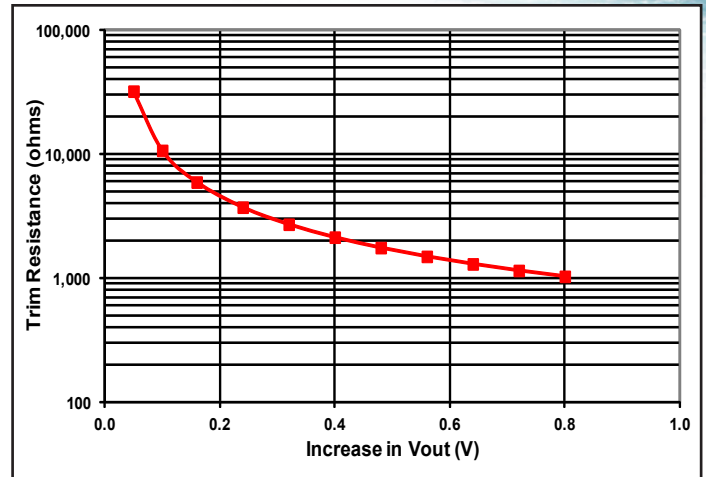


Figure E: Output Voltage Trim Graph

INPUT UNDER-VOLTAGE LOCKOUT: The MQFL converter has an under-voltage lockout feature that ensures the converter will be off if the input voltage is too low. The threshold of input voltage at which the converter will turn on is higher than the threshold at which it will turn off. In addition, the MQFL converter will not respond to a state of the input voltage unless it has remained in that state for more than about 200 μs. This hysteresis and the delay ensure proper operation when the source impedance is high or in a noisy environment.

INPUT OVER-VOLTAGE SHUTDOWN: The MQFL converter also has an over-voltage feature that ensures the converter will be off if the input voltage is too high. It also has a hysteresis and time delay to ensure proper operation.

BACK-DRIVE CURRENT LIMIT: Converters that use MOSFETs as synchronous rectifiers are capable of drawing a negative current from the load if the load is a source of short- or long-term energy. This negative current is referred to as a "back-drive current".

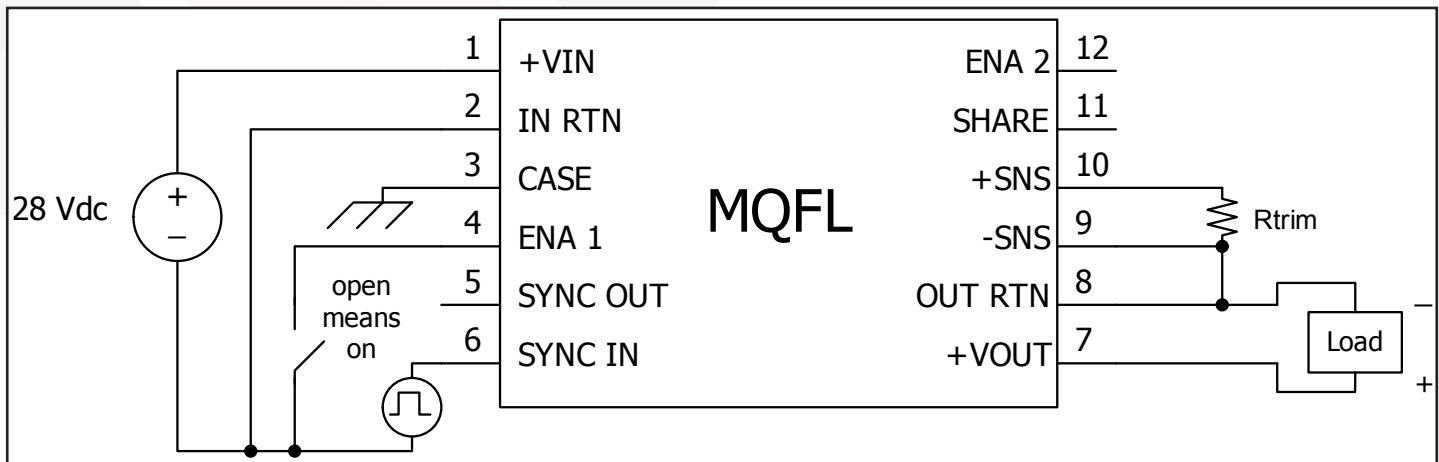


Figure D: Typical connection for output voltage trimming.



MQFL-28-08S

Output: 8.0 V

Current: 15 A

Application Section

Conditions where back-drive current might occur include paralleled converters that do not employ current sharing, or where the current share feature does not adequately ensure sharing during the startup or shutdown transitions. It can also occur when converters having different output voltages are connected together through either explicit or parasitic diodes that, while normally off, become conductive during startup or shutdown. Finally, some loads, such as motors, can return energy to their power rail. Even a load capacitor is a source of back-drive energy for some period of time during a shutdown transient.

To avoid any problems that might arise due to back-drive current, the MQFL converters limit the negative current that the converter can draw from its output terminals. The threshold for this back-drive current limit is placed sufficiently below zero so that the converter may operate properly down to zero load, but its absolute value (see the Electrical Characteristics page) is small compared to the converter's rated output current.

THERMAL CONSIDERATIONS: Figure 5 shows the suggested Power Derating Curves for this converter as a function of the case temperature, input voltage and the maximum desired power MOSFET junction temperature. All other components within the converter are cooler than its hottest MOSFET.

The Mil-HDBK-1547A component derating guideline calls for a maximum component temperature of 105 °C. Figure 5 therefore has one power derating curve that ensures this limit is maintained. It has been SynQor's extensive experience that reliable long-term converter operation can be achieved with a maximum component temperature of 125 °C. In extreme cases, a maximum temperature of 145 °C is permissible, but not recommended for long-term operation where high reliability is required. Derating curves for these higher temperature limits are also included in Figure 5. The maximum case temperature at which the converter should be operated is 135 °C.

When the converter is mounted on a metal plate, the plate will help to make the converter's case bottom a uniform temperature. How well it does so depends on the thickness of the plate and on the thermal conductance of the interface layer (e.g. thermal grease, thermal pad, etc.) between the case and the plate. Unless this is done very well, it is important not to mistake the plate's temperature for the maximum case temperature. It is easy for them to be as much as 5-10 °C different at full power and at high temperatures. It is suggested that a thermocouple be attached directly to the converter's case through a small hole in the plate when investigating how hot the converter is getting. Care must also be made to ensure that there is not a large thermal resistance between the thermocouple and the case due to whatever adhesive might be used to hold the thermocouple in place.

INPUT SYSTEM INSTABILITY: This condition can occur because any DC-DC converter appears incrementally as a negative resistance load. A detailed application note titled "Input System Instability" is available on the SynQor website which provides an understanding of why this instability arises, and shows the preferred solution for correcting it.



MQFL-28-08S
Output: 8.0 V
Current: 15 A

CONSTRUCTION AND ENVIRONMENTAL STRESS SCREENING OPTIONS

| Screening | Consistent with MIL-STD-883F | C-Grade (specified from 0 °C to +70 °C) | ES-Grade (specified from -45 °C to +100 °C) | HB-Grade (specified from -55 °C to +125 °C) |
|---|-------------------------------|--|--|--|
| Element Evaluation | | No | Yes | Yes |
| Internal Visual | IPC-A-610 Class 3 | Yes | Yes | Yes |
| Temperature Cycle | Method 1010 | No | Condition B (-55 °C to +125 °C) | Condition C (-65 °C to +150 °C) |
| Constant Acceleration | Method 2001 (Y1 Direction) | No | 500 g | Condition A (5000 g) |
| Burn-in | Method 1015 | 24 Hrs @ +125 °C | 96 Hrs @ +125 °C | 160 Hrs @ +125 °C |
| Final Electrical Test | Method 5005 (Group A) | +25 °C | -45, +25, +100 °C | -55, +25, +125 °C |
| Mechanical Seal, Thermal, and Coating Process | | | Full QorSeal | Full QorSeal |
| External Visual | Method 2009 | Yes | Yes | Yes |
| Construction Process | | | QorSeal | QorSeal |

MilQor® Hi-Rel converters and filters are offered in three variations of environmental stress screening options. All ES-Grade and HB-Grade MilQor Hi-Rel converters use SynQor's proprietary QorSeal® Hi-Rel assembly process that includes a Parylene-C coating of the circuit, a high performance thermal compound filler, and a nickel barrier gold plated aluminum case. Each successively higher grade has more stringent mechanical and electrical testing, as well as a longer burn-in cycle. The ES- and HB-Grades are also constructed of components that have been procured through an element evaluation process that pre-qualifies each new batch of devices.



MQFL-28-08S
Output: 8.0 V
Current: 15 A

Technical Specifications

MIL-STD-810F Qualification Testing

| MIL-STD-810F Test | Method | Description |
|----------------------|-------------------------|--|
| Fungus | 508.5 | Table 508.5-I |
| Altitude | 500.4 - Procedure I | Storage: 70,000 ft / 2 hr duration |
| | 500.4 - Procedure II | Operating: 70,000 ft / 2 hr duration; Ambient Temperature |
| Rapid Decompression | 500.4 - Procedure III | Storage: 8,000 ft to 40,000 ft |
| Acceleration | 513.5 - Procedure II | Operating: 15 g |
| Salt Fog | 509.4 | Storage |
| High Temperature | 501.4 - Procedure I | Storage: 135 °C / 3 hrs |
| | 501.4 - Procedure II | Operating: 100 °C / 3 hrs |
| Low Temperature | 502.4 - Procedure I | Storage: -65 °C / 4 hrs |
| | 502.4 - Procedure II | Operating: -55 °C / 3 hrs |
| Temperature Shock | 503.4 - Procedure I - C | Storage: -65 °C to 135 °C; 12 cycles |
| Rain | 506.4 - Procedure I | Wind Blown Rain |
| Immersion | 512.4 - Procedure I | Non-Operating |
| Humidity | 507.4 - Procedure II | Aggravated cycle @ 95% RH (Figure 507.5-7 aggravated temp - humidity cycle, 15 cycles) |
| Random Vibration | 514.5 - Procedure I | 10 - 2000 Hz, PSD level of 1.5 g ² /Hz (54.6 g _{rms}), duration = 1 hr/axis |
| Shock | 516.5 - Procedure I | 20 g peak, 11 ms, Functional Shock (Operating no load) (saw tooth) |
| | 516.5 - Procedure VI | Bench Handling Shock |
| Sinusoidal vibration | 514.5 - Category 14 | Rotary wing aircraft - helicopter, 4 hrs/axis, 20 g (sine sweep from 10 - 500 Hz) |
| Sand and Dust | 510.4 - Procedure I | Blowing Dust |
| | 510.4 - Procedure II | Blowing Sand |



MQFL-28-08S
Output: 8.0 V
Current: 15 A

Technical Specifications

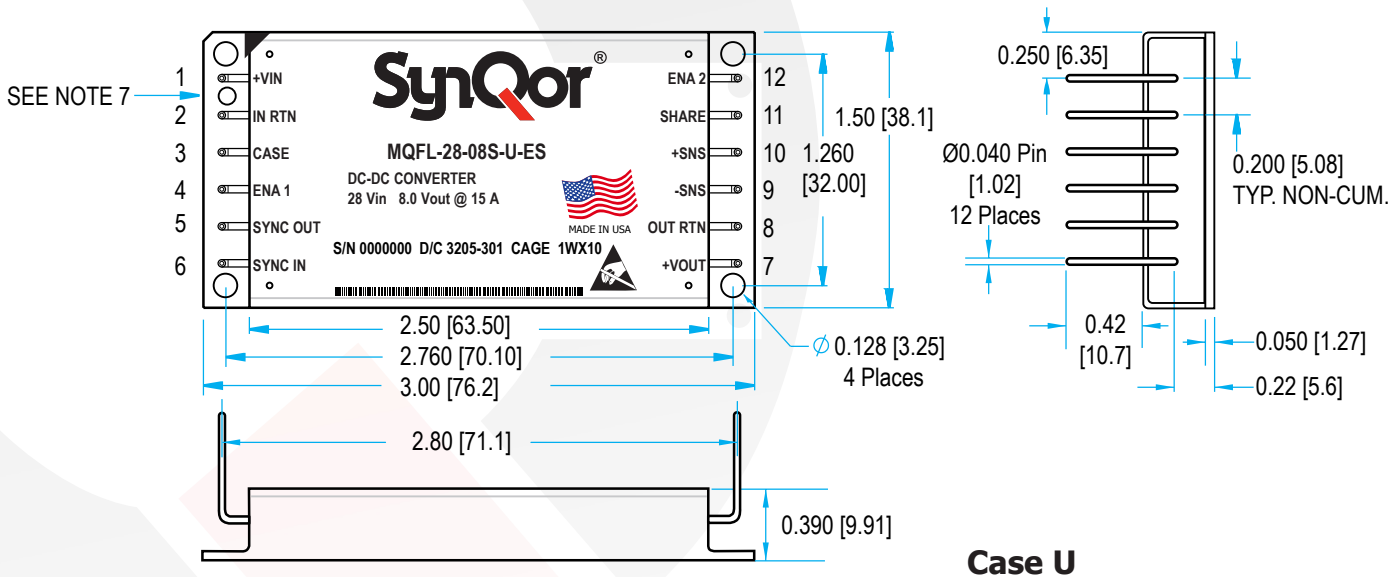
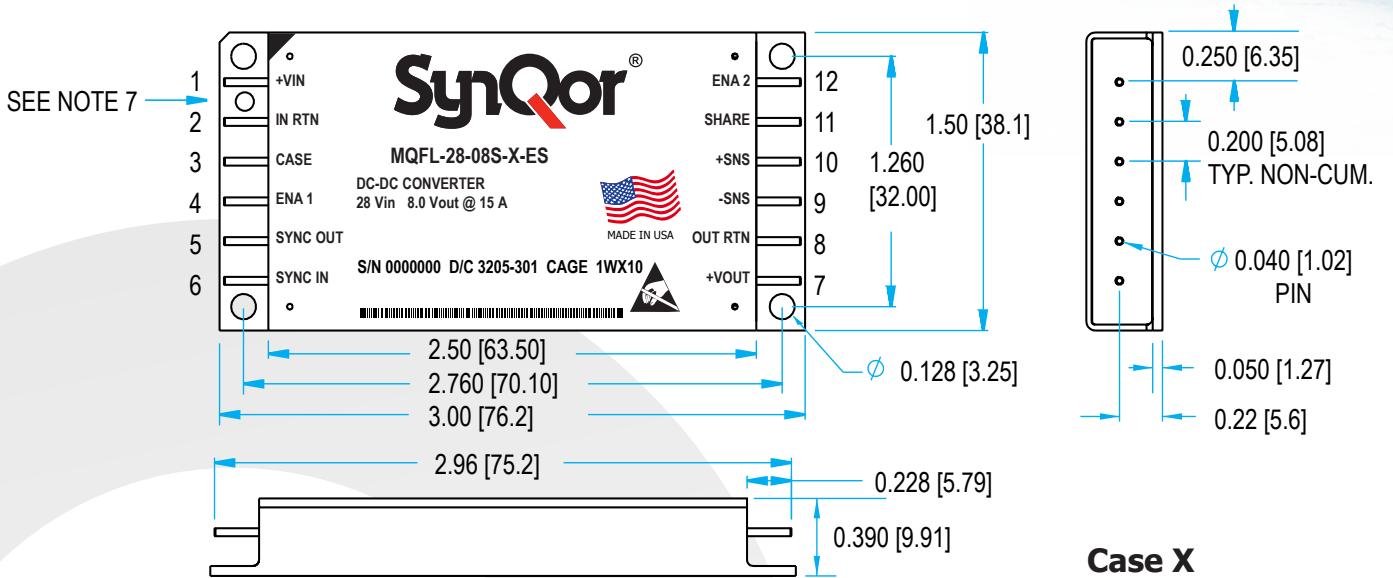
First Article Testing consistent with MIL-STD-883F

| MIL-STD-883F Test | Method | Description |
|------------------------------------|---------|------------------|
| Electrical Tests | 5005 | |
| Physical Dimensions test | 2016 | |
| Resistance to Solvents test | 2015.13 | |
| Solderability test | 2003.8 | |
| Lead Integrity test | 2004.5 | |
| Salt Atmosphere test | 1009.8 | Condition "A" |
| Adhesion of Lead Finish test | 2025.4 | |
| Altitude Operation test | 1001 | Condition "C" |
| ESD Sensitivity | 3015.7 | Class 2 |
| Stabilization Bake test | 1008.2 | Condition "C" |
| Vibration Fatigue test | 2005.2 | Condition "A" |
| Random Vibration test | 2026 | Condition "II K" |
| Sequential Test Group #1 | | |
| Life Test – Steady State test | 1005.8 | |
| Life Test – Intermittent Duty test | 1006 | |
| Sequential Test Group #2 | | |
| Temperature Cycle test | 1010.8 | Condition "C" |
| Constant Acceleration test | 2001.2 | Condition "A" |
| Sequential Test Group #3 | | |
| Thermal Shock test | 1011.9 | Condition "B" |
| Temperature Cycle test | 1010.8 | Condition "C" |
| Moisture Resistance test | 1004.7 | With Sub cycle |
| Sequential Test Group #4 | | |
| Mechanical Shock test | 2002.4 | Condition "B" |
| Variable Frequency Vibration test | 2007.3 | Condition "A" |



MQFL-28-08S
Output: 8.0 V
Current: 15 A

Mechanical Diagrams

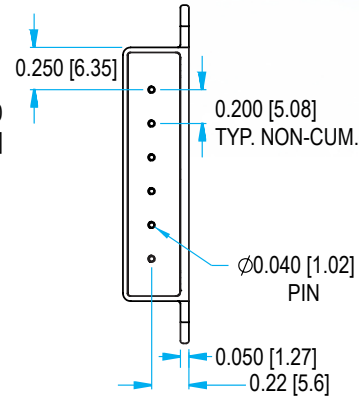
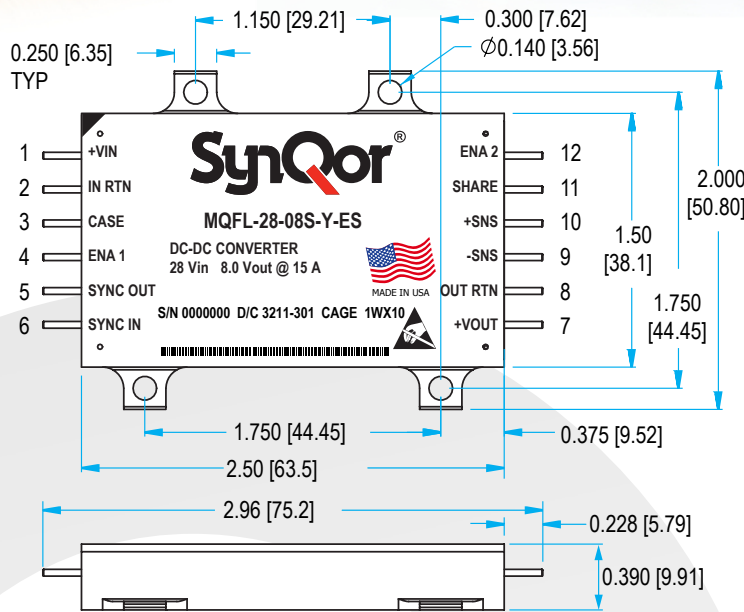


NOTES

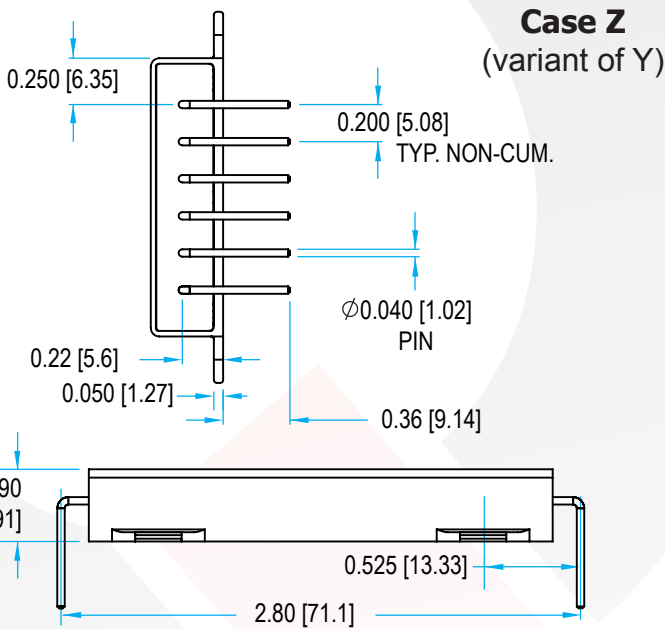
- 1) Pins 0.040" (1.02 mm) diameter
- 2) Pin Material: Copper Alloy
Finish: Gold over Nickel plating, followed by Sn/Pb solder dip
- 3) All dimensions in inches (mm) Tolerances: x.xx +/-0.02 in. (x.x +/-0.5 mm)
x.xxx +/-0.010 in. (x.xx +/-0.25 mm)
- 4) Weight: 2.8 oz (78.5 g) typical
- 5) Workmanship: Meets or exceeds IPC-A-610 Class III
- 6) Print Labeling on Top Surface per Product Label Format Drawing
- 7) Pin 1 identification hole, not intended for mounting (case X and U)
- 8) Baseplate flatness tolerance is 0.004" (.10 mm) TIR for surface.

PIN DESIGNATIONS

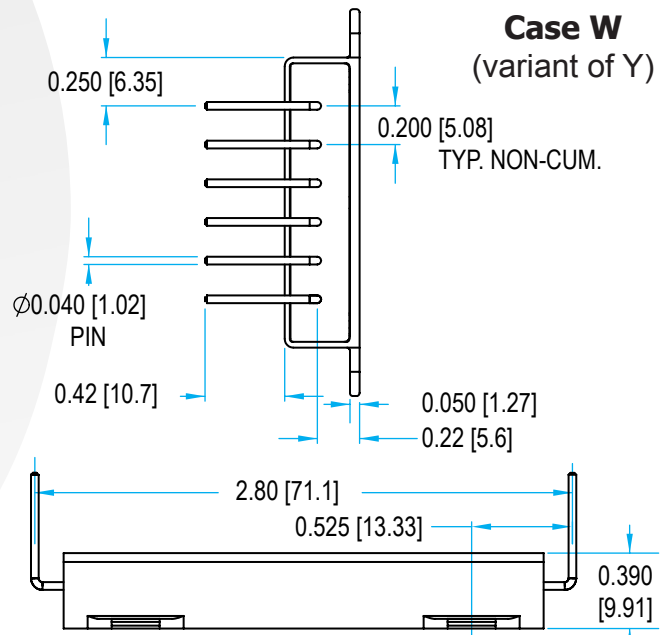
| Pin # | Function | Pin # | Function |
|-------|----------------|-------|-----------------|
| 1 | Positive input | 7 | Positive output |
| 2 | Input return | 8 | Output return |
| 3 | Case | 9 | - Sense |
| 4 | Enable 1 | 10 | + Sense |
| 5 | Sync output | 11 | Share |
| 6 | Sync input | 12 | Enable 2 |



Case Y



Case Z
(variant of Y)



Case W
(variant of Y)

NOTES

- 1) Pins 0.040" (1.02 mm) diameter
- 2) Pin Material: Copper Alloy
Finish: Gold over Nickel plating, followed by Sn/Pb solder dip
- 3) All dimensions in inches (mm) Tolerances: x.xx +/-0.02 in. (x.x +/-0.5 mm)
x.xxx +/-0.010 in. (x.xx +/-0.25 mm)
- 4) Weight: 2.8 oz (78.5 g) typical
- 5) Workmanship: Meets or exceeds IPC-A-610 Class III
- 6) Print Labeling on Top Surface per Product Label Format Drawing
- 7) Pin 1 identification hole, not intended for mounting (case X and U)
- 8) Baseplate flatness tolerance is 0.004" (.10 mm) TIR for surface.

PIN DESIGNATIONS

| Pin # | Function | Pin # | Function |
|-------|----------------|-------|-----------------|
| 1 | Positive input | 7 | Positive output |
| 2 | Input return | 8 | Output return |
| 3 | Case | 9 | - Sense |
| 4 | Enable 1 | 10 | + Sense |
| 5 | Sync output | 11 | Share |
| 6 | Sync input | 12 | Enable 2 |



Ordering Information

MilQor Converter FAMILY MATRIX

The tables below show the array of MilQor converters available. When ordering SynQor converters, please ensure that you use the complete part number according to the table in the last page. Contact the factory for other requirements.

| Full Size | Single Output | | | | | | | | | | | Dual Output † | | |
|---|-----------------|-----------------|-----------------|-----------------|--------------|--------------|-----------------|--------------|---------------|---------------|---------------|---------------|---------------|-----------------|
| | 1.5 V (1R5S) | 1.8 V (1R8S) | 2.5 V (2R5S) | 3.3 V (3R3S) | 5 V (05S) | 6 V (06S) | 7.5 V (7R5S) | 9 V (09S) | 12 V (12S) | 15 V (15S) | 28 V (28S) | 5 V (05D) | 12 V (12D) | 15 V (15D) |
| MQFL-28 16-40 Vin Cont. 16-50 Vin 1 s Trans.* Absolute Max Vin = 60 V | 40 A | 40 A | 40 A | 30 A | 24 A | 20 A | 16 A | 13 A | 10 A | 8 A | 4 A | 24 A Total | 10 A Total | 8 A Total |
| MQFL-28E 16-70 Vin Cont. 16-80 Vin 1 s Trans.* Absolute Max Vin =100 V | 40 A | 40 A | 40 A | 30 A | 24 A | 20 A | 16 A | 13 A | 10 A | 8 A | 4 A | 24 A Total | 10 A Total | 8 A Total |
| MQFL-28 V 16-40 Vin Cont. 5.5-50 Vin 1 s Trans.* Absolute Max Vin = 60 V | 40 A | 40 A | 40 A | 30 A | 20 A | 17 A | 13 A | 11 A | 8 A | 6.5 A | 3.3 A | | | |
| MQFL-28 VE 16-70 Vin Cont. 5.5-80 Vin 1 s Trans.* Absolute Max Vin = 100 V | 40 A | 40 A | 40 A | 30 A | 20 A | 17 A | 13 A | 11 A | 8A | 6.5A | 3.3A | | | |
| MQFL-270 155-400 Vin Cont. 155-475 Vin 1 s Trans.* Absolute Max Vin = 550 V | 40A | 40A | 40A | 30A | 24A | 20A | 16A | 13 A | 10A | 8 A | 4 A | 24 A Total | 10 A Total | 8 A Total |
| MQFL-270L 65-350 Vin Cont. 65-475 Vin 1 s Trans.* Absolute Max Vin = 550 V | 40 A | 40 A | 30 A | 22 A | 15 A | 12 A | 10 A | 8 A | 6 A | 5 A | 2.7 A | 15 A Total | 6 A Total | 5 A Total |
| Half Size | Single Output | | | | | | | | | | | Dual Output † | | |
| | 1.5 V (1R5S) | 1.8 V (1R8S) | 2.5 V (2R5S) | 3.3 V (3R3S) | 5 V (05S) | 6 V (06S) | 7.5 V (7R5S) | 9 V (09S) | 12 V (12S) | 15 V (15S) | 28 V (28S) | 5 V (05D) | 12 V (12D) | 15 V (15D) |
| MQHL-28 16-40 Vin Cont. 16-50 Vin 1 s Trans.* Absolute Max Vin = 60 V | 20 A | 20 A | 20 A | 15 A | 10 A | 8 A | 6.6 A | 5.5 A | 4 A | 3.3 A | 1.8 A | 10 A Total | 4 A Total | 3.3 A Total |
| MQHL-28E 16-70 Vin Cont. 16-80 Vin 1 s Trans.* Absolute Max Vin =100 V | 20 A | 20 A | 20 A | 15 A | 10 A | 8 A | 6.6 A | 5.5 A | 4 A | 3.3 A | 1.8 A | 10 A Total | 4 A Total | 3.3 A Total |
| MQHR-28 16-40 Vin Cont. 16-50 Vin 1 s Trans.* Absolute Max Vin = 60 V | 10 A | 10 A | 10 A | 7.5 A | 5 A | 4 A | 3.3 A | 2.75 A | 2 A | 1.65 A | 0.9 A | 5 A Total | 2 A Total | 1.65 A Total |
| MQHR-28E 16-70 Vin Cont. 16-80 Vin 1 s Trans.* Absolute Max Vin = 100 V | 10 A | 10 A | 10 A | 7.5 A | 5 A | 4 A | 3.3 A | 2.75 A | 2 A | 1.65 A | 0.9 A | 5 A Total | 2 A Total | 1.65 A Total |

Check with factory for availability.

†80% of total output current available on any one output.

*Converters may be operated at the highest transient input voltage, but some component electrical and thermal stresses would be beyond MIL-HDBK-1547A guidelines.



MQFL-28-08S
Output: 8.0 V
Current: 15 A

Ordering Information

PART NUMBERING SYSTEM

The part numbering system for SynQor's MilQor DC-DC converters follows the format shown in the table below.

Not all combinations make valid part numbers, please contact SynQor for availability. See the Product Summary web page for more options.

Example: MQFL-28-08S-Y-ES

| Model Name | Input Voltage Range | Output Voltage(s) | | Package Outline/ Pin Configuration | Screening Grade |
|----------------------|--------------------------|-------------------|---------------------------|---------------------------------------|-----------------|
| | | Single Output | Dual Output | | |
| MQFL MQHL MQHR | 28 28E 28V 28VE | 1R5S | 05D 6R5D 12D 15D | U X Y W Z | C ES HB |
| | | 1R8S | | | |
| | | 2R5S | | | |
| | | 3R3S | | | |
| | | 05S | | | |
| | | 06S | | | |
| | 270 270L | 6R5S | | | |
| | | 7R5S | | | |
| | | 08S | | | |
| | | 09S | | | |
| | | 12S | | | |
| | | 15S | | | |
| | | 28S | | | |

APPLICATION NOTES

A variety of application notes and technical white papers can be downloaded in pdf format from the SynQor website.

Contact SynQor for further information and to order:

Phone: 978-849-0600
Toll Free: 1-888-567-9596
Fax: 978-849-0602
E-mail: mqnbofae@synqor.com
Web: www.synqor.com
Address: 155 Swanson Road
 Boxborough, MA 01719
 USA

PATENTS

SynQor holds numerous U.S. patents, one or more of which apply to most of its power conversion products. Any that apply to the product(s) listed in this document are identified by markings on the product(s) or on internal components of the product(s) in accordance with U.S. patent laws. SynQor's patents include the following:

6,896,526 6,927,987 7,050,309 7,765,687
 7,787,261 8,149,597 8,644,027

Warranty

SynQor offers a two (2) year limited warranty. Complete warranty information is listed on our website or is available upon request from SynQor.